

7453.0002



FROZEN DICE

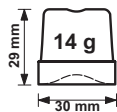


Self-contained ice maker up to 25 kg - Sprayer system

• Position n°



• Available dice size



• Application fields

Hotel	●●●●●●●●●●	Fish market	●●●●●●●●●●
Restaurant	●●●●●●●●●●	Supermarket	●●●●●●●●●●
Fast food	●●●●●●●●●●	SPA	●●●●●●●●●●
Bar	●●●●●●●●●●	Medical	●●●●●●●●●●
Disco	●●●●●●●●●●	Industry	●●●●●●●●●●

• Features & Plus

- Full cube, compact and crystalline
- External structure AISI 304 Scotch Brite
- External structure ABS (on demand)
- Electromechanical functioning
- Air Cooling and Water Cooling systems
- Standard and special voltages
- Insulated retractable door
- ON-OFF switch
- Cleanable antiscaling filter
- Internal bin insulation HCFC free
- Conformity to RoHS directive
- Easy cleaning thanks to rounded surfaces
- Model in Tropical Class + 43 ° C
- Undercounter model

• Prod. 24h

Air temp.	Water temp.	Prod. 24h kg
10° C	10° C	25
21° C	15° C	22
32° C	21° C	18

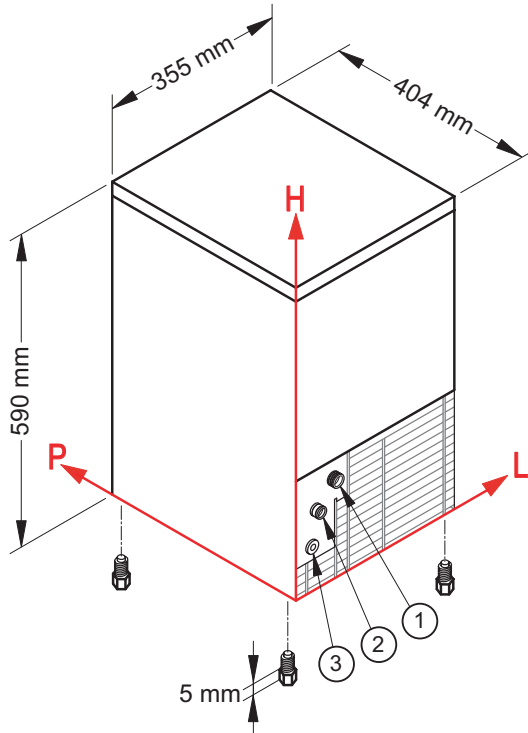
7453.0002



FROZEN DICE



Self-contained ice maker up to 25 kg - Sprayer system



● Connections

All measures are referred to the rear bottom-left corner (L-H-Ø)

- ① Water inlet:
88 mm - 184 mm - 3/4"
- ② Water outlet:
45 mm - 138 mm - 24mm
- ③ Electrical connection:
41 mm - 73 mm

● Working conditions

- Location: Indoor

	Min	Max
Ambient temperature	+10° C	+43° C
Water temperature	+3° C	+32° C
Voltage	-10%	+10%
Water inlet pressure	1bar (14 psi)	6bar (84 psi)

● Technical information

Production in 24h	22 kg
Store capacity, up to	4 kg
Cooling system	A - W
Kind of cube	14 g
Refrigerant	R404A
Standard voltage	220-240 V ~ 50 Hz
Electrical consumption	320 W
Fuse	10 A
Water consumption	A: 4,5 l/kg W: 20 l/kg
Sizes (L-P-H mm)	355 - 404 - 590
Sizes with pack (L-P-H mm)	415 - 445 - 780
Net weight	27,5 kg
Gross weight	34 kg
Finish	AISI 304 stainless steel, scotch brite - ABS

All the technical information must be considered at the following conditions:

Sizes without feet	Standard Cube (14 g)	Ambient temperature +21° C	Water temperature +15° C	Electrical consumption at +43° C (standard voltage)

Models and specifications are subject to change without notice
Rev. 00 - Issued January 2017